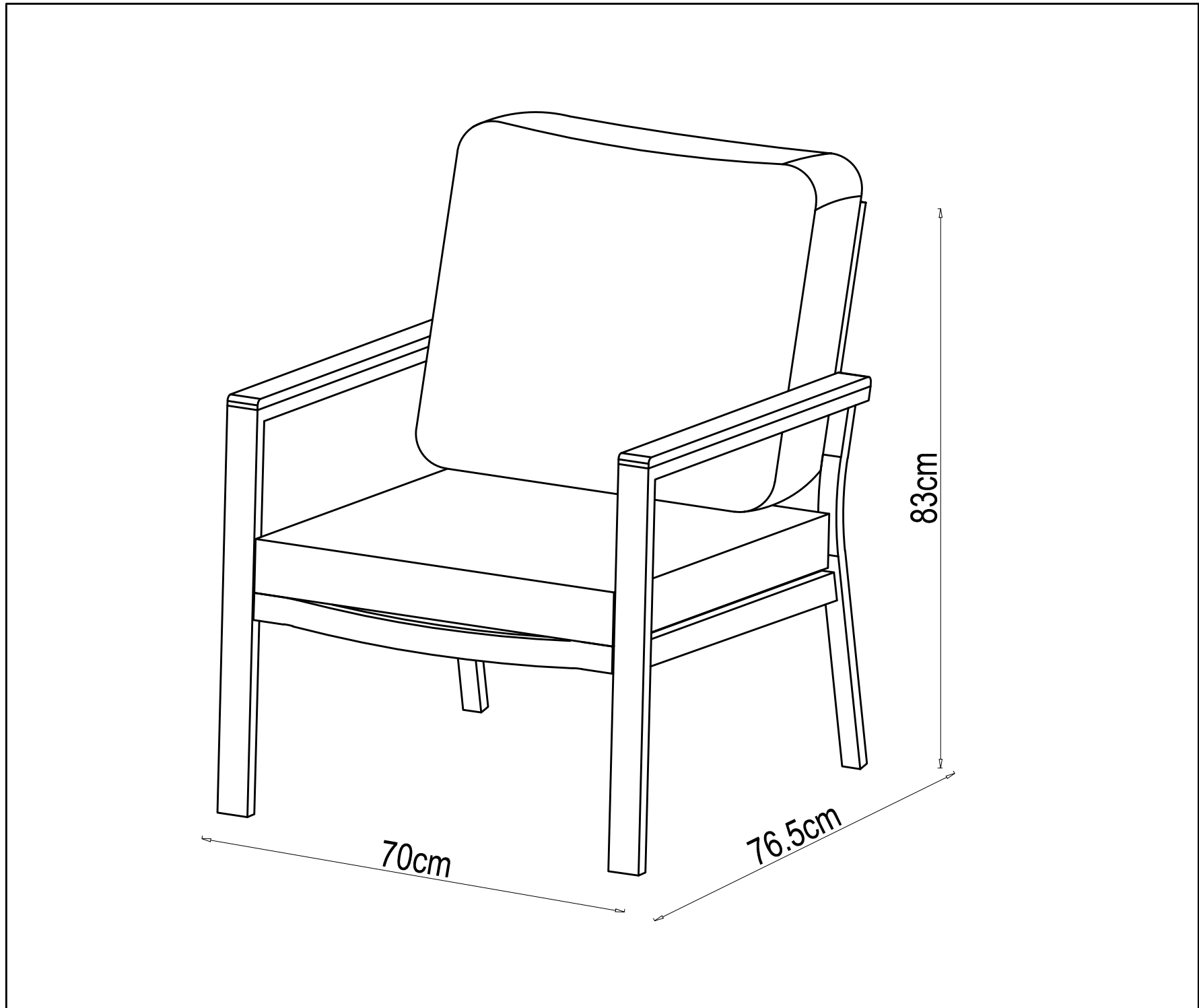


Amart

ASSEMBLY INSTRUCTION

OAKLYN 4 PIECE OUTDOOR LOUNGE SETTING

ITEM CODE - 77199

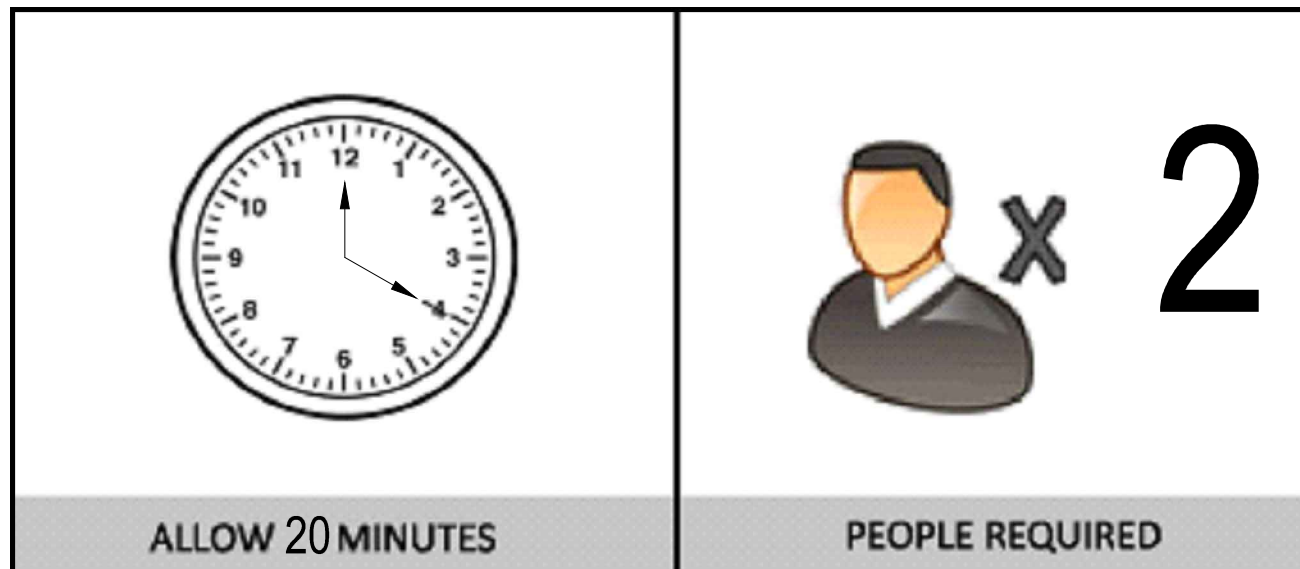


Imported by Amart Furniture Pty Ltd, Qld, Brisbane Australia .
For any assistance with assembly or for missing parts please phone
Amart Furniture, Customer Service Freecall 1800 351 084

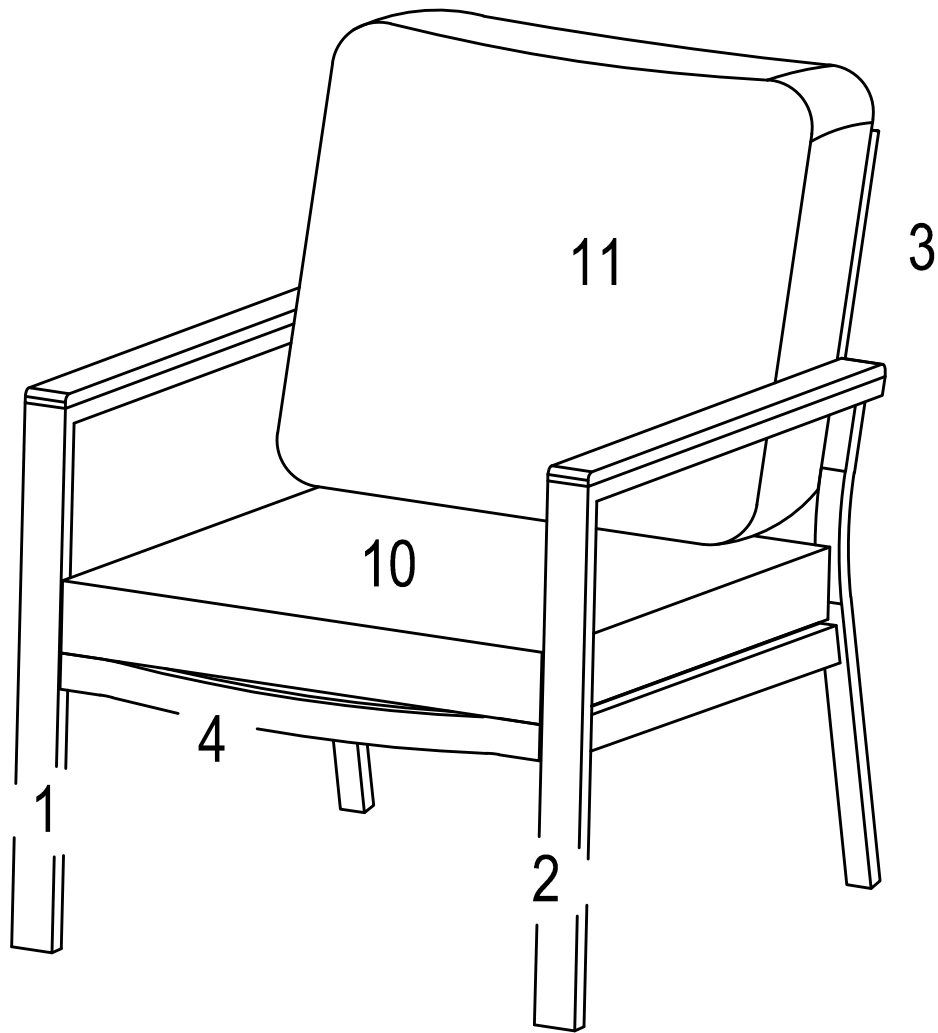
PRE-ASSEMBLY PREPARATION

Before you start:

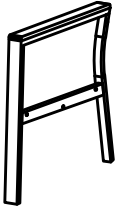
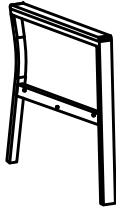
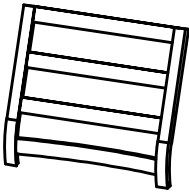
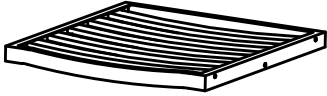
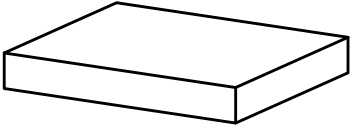
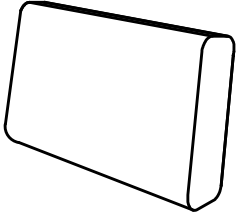
1. Choose a clean, level, spacious assembly area. Avoid hard surfaces that may damage the product.
2. Take care when lifting. Product should be assembled as near as possible to the point of use.
3. Ensure that you have all required contents for complete assembly.
4. Always read the assembly instructions carefully before beginning assembly.
5. Keep all hardware parts and packaging out of reach of small children.
6. Do not over tighten the screws and bolts as this may damage the threads.


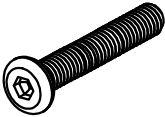
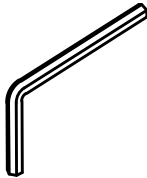


PARTS LIST



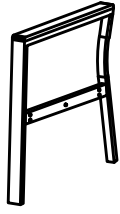
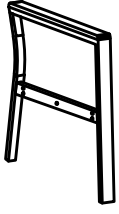
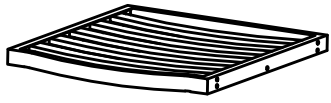

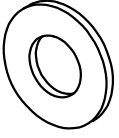
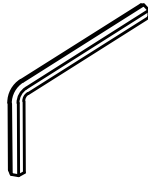
X 2

1. Right Arm		2PCS	2. Left Arm		2PCS
3. Backrest		2PCS	4. Seat		2PCS
10. Seat Cushion		2PCS	11. Back cushion		2PCS

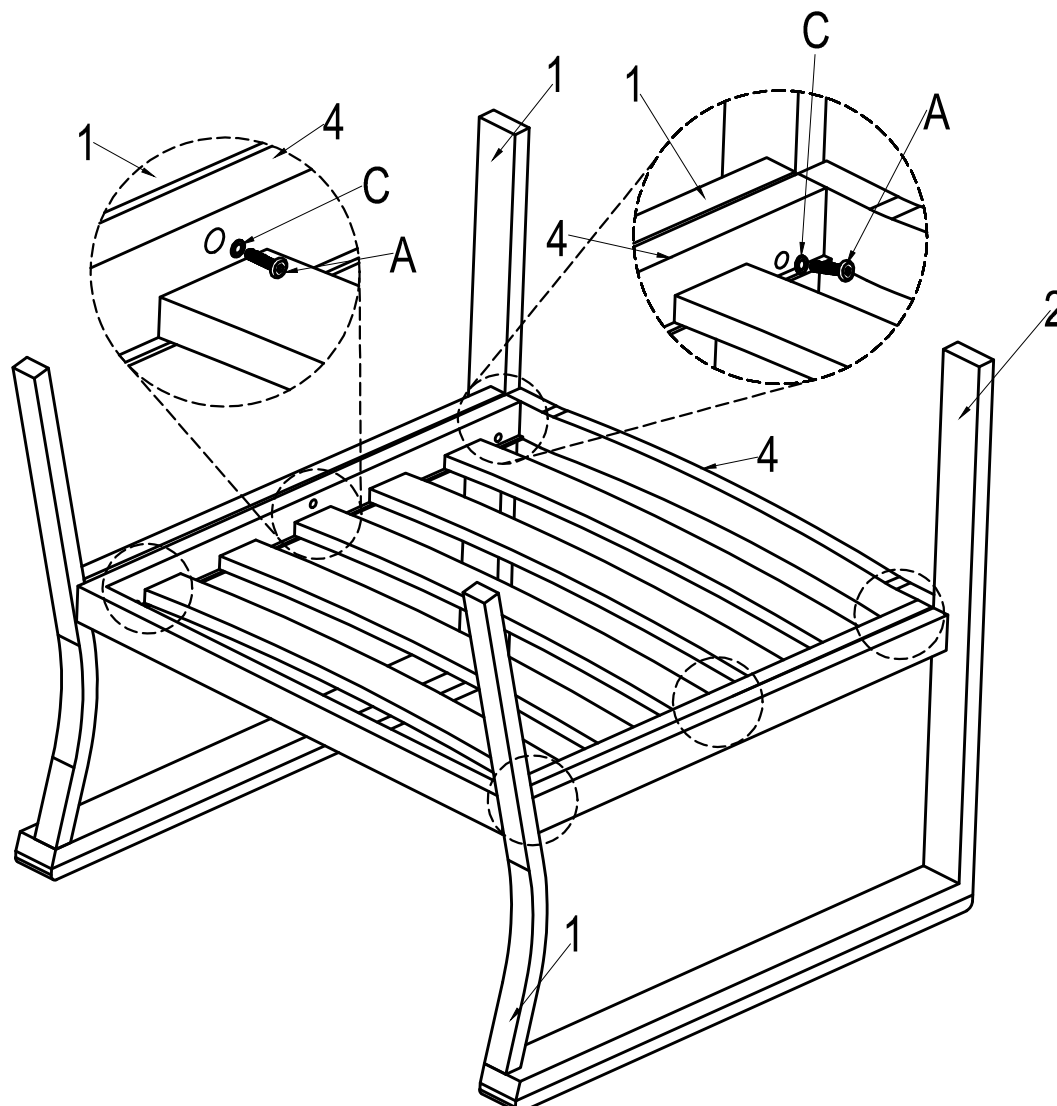
A. Bolt	B. Bolt	C. Washer	D. Allen Key
			
M6*35*12PCS	M6*50*8PCS	M6*20PCS	M6*1PC

Step 1:

ITEMS REQUIRED

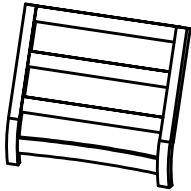
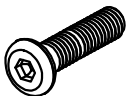
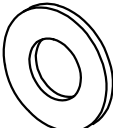
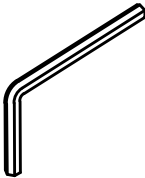
1.	Right Arm	1PC	2.	Left Arm	1PC	4.	Seat	1PC
								
A.	Bolt		C.	Washer		D.	Allen Key	
								
M6*35*6PCS			M6*6PCS			M6*1PC		

- Attach left arm (2) and right arm (1) to seat (4) using bolt (A) with washer (C) .
- Insert all bolts before fully tightening with allen key (D).

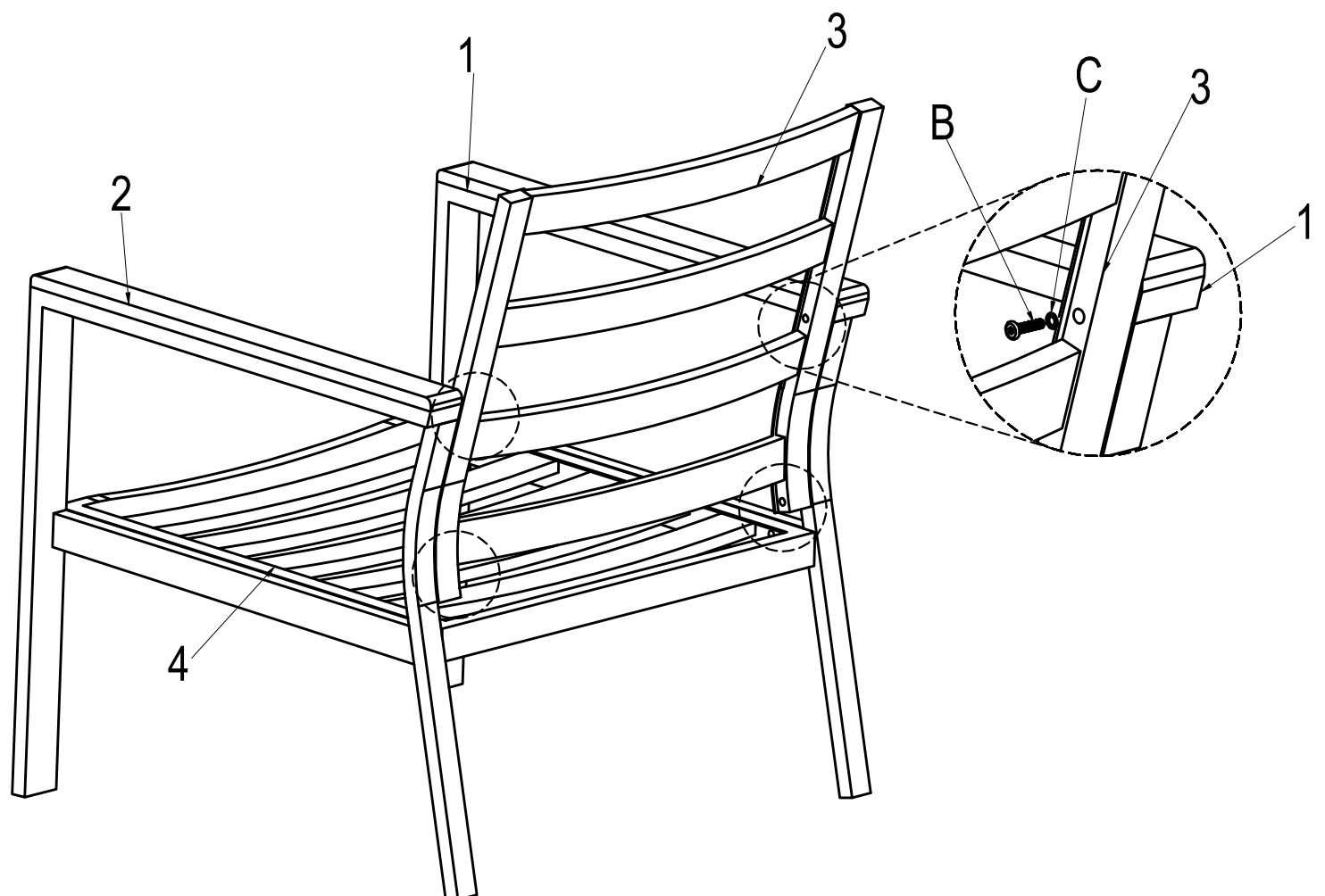


Step 2:

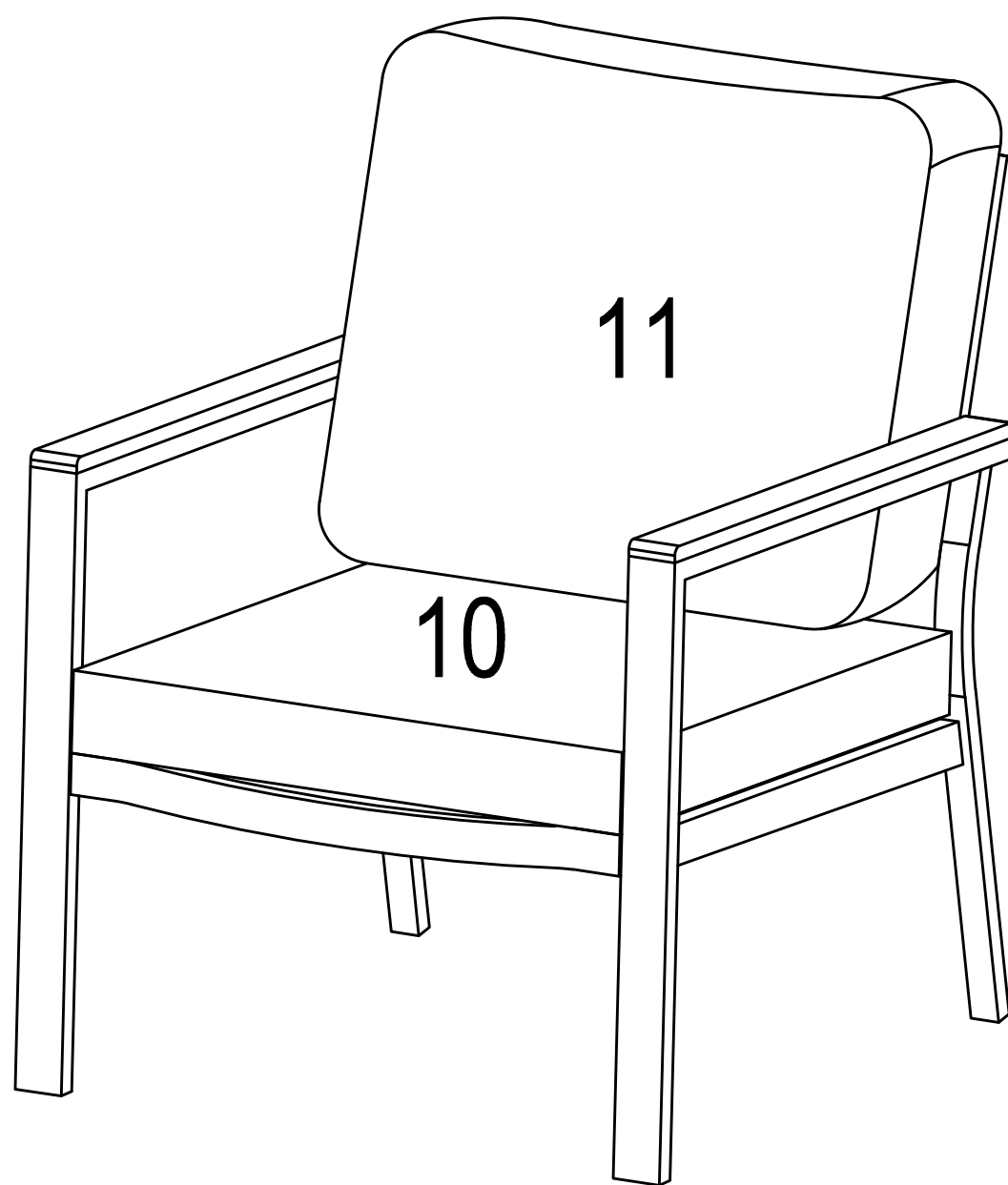
ITEMS REQUIRED

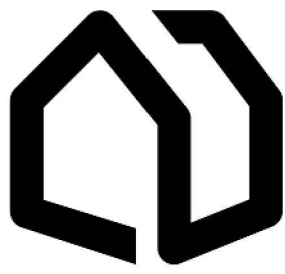
3. Backrest 1PC 		
B. Bolt  M6*50*4PCS	C. Washer  M6*4PCS	D. Allen Key  M6*1PC

- Attach backrest (3) to left arm (2) and right arm (1) using bolt (B) with washer (C).
- Insert all bolts before fully tightening with allen key (D).



ASSEMBLY IS COMPLETE



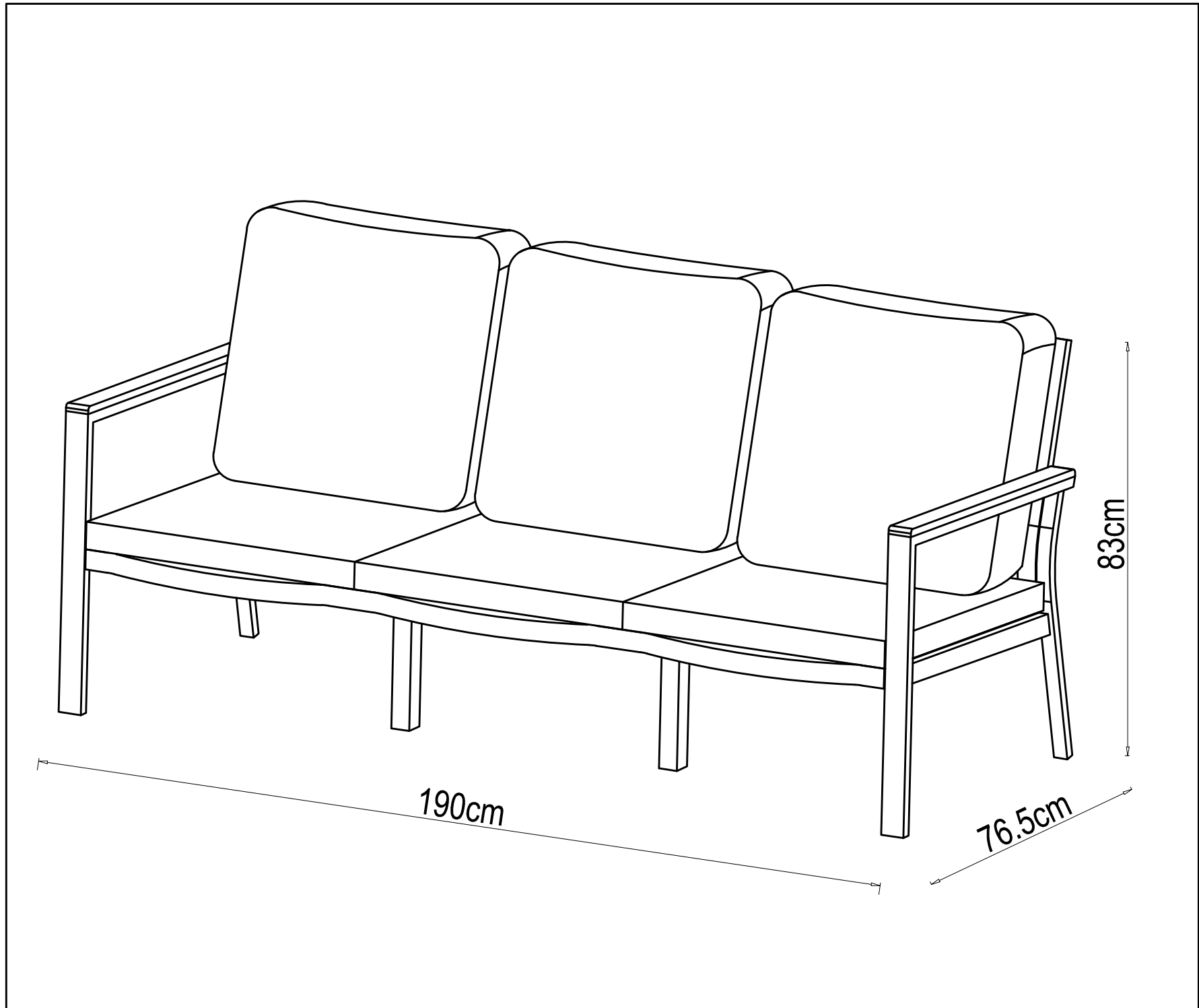


Amart

ASSEMBLY INSTRUCTION

OAKLYN 4 PIECE OUTDOOR LOUNGE SETTING

ITEM CODE - 77199

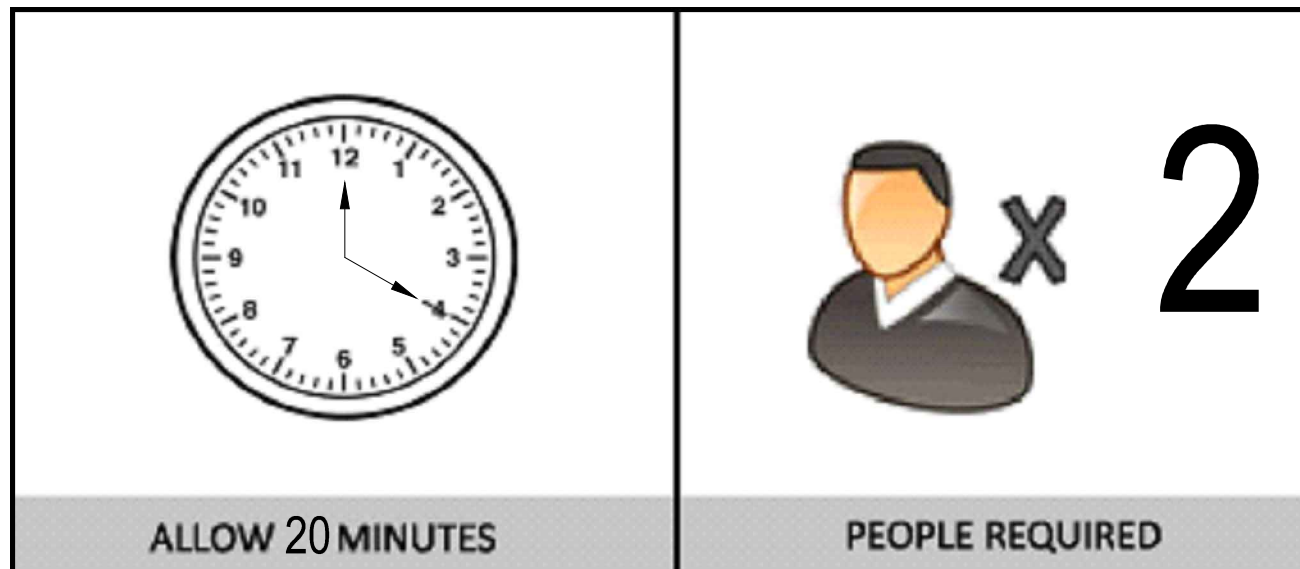


Imported by Amart Furniture Pty Ltd, Qld, Brisbane Australia .
For any assistance with assembly or for missing parts please phone
Amart Furniture, Customer Service Freecall 1800 351 084

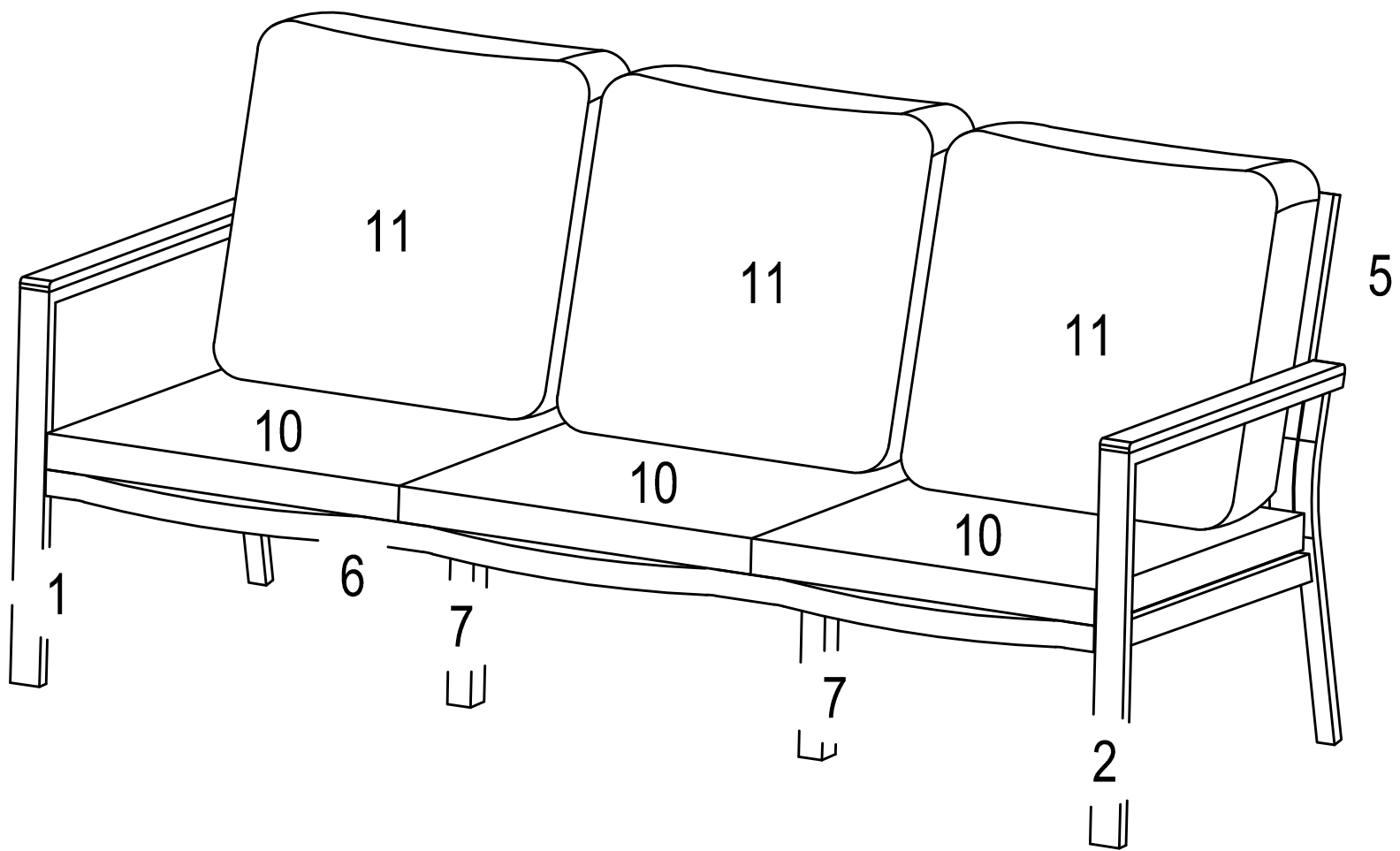
PRE-ASSEMBLY PREPARATION

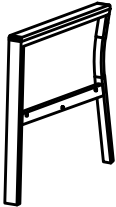
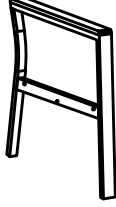
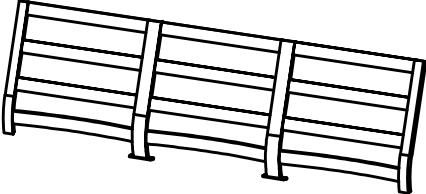
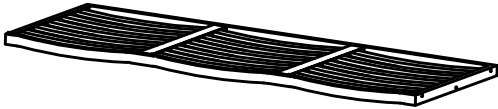
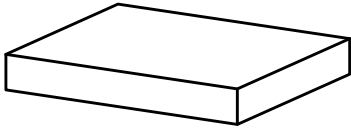
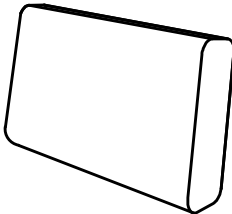

Before you start:


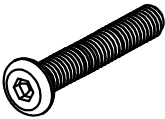
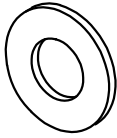
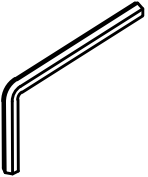

1. Choose a clean, level, spacious assembly area. Avoid hard surfaces that may damage the product.
2. Take care when lifting. Product should be assembled as near as possible to the point of use.
3. Ensure that you have all required contents for complete assembly.
4. Always read the assembly instructions carefully before beginning assembly.
5. Keep all hardware parts and packaging out of reach of small children.
6. Do not over tighten the screws and bolts as this may damage the threads.



PARTS LIST

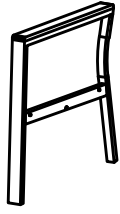
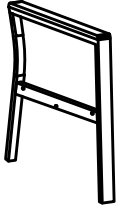
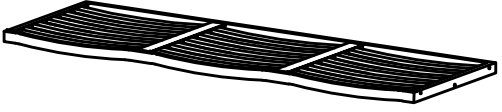
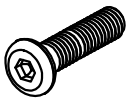
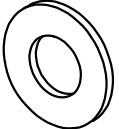
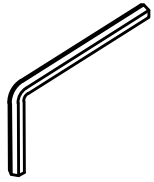


1. Right Arm  1PC	2. Left Arm  1PC
5. Backrest  1PC	6. Seat  1PC
10. Seat Cushion  3PCS	11. Back cushion  3PCS
7. Legs  2PCS	

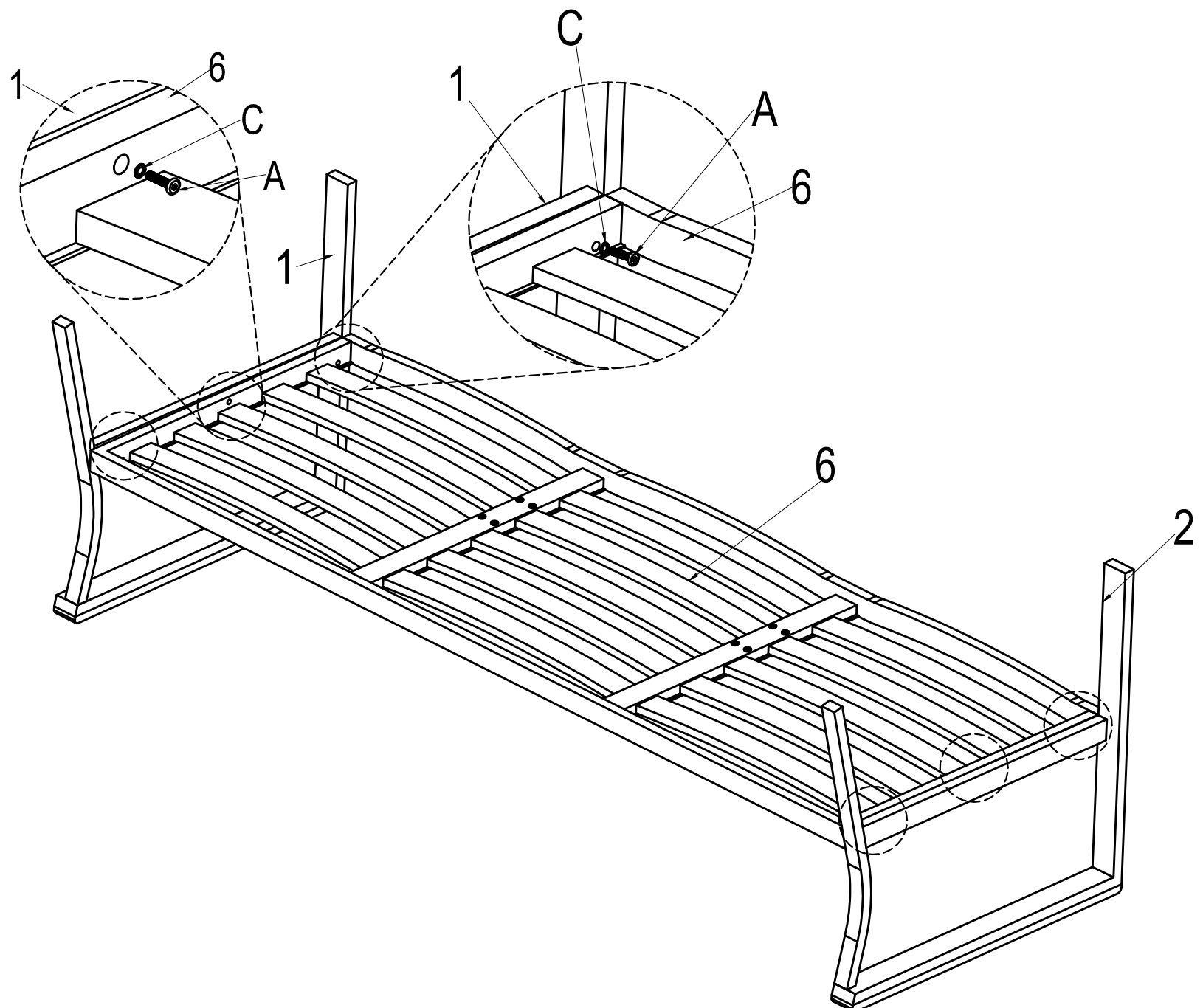
A. Bolt  M6*35*6PCS	B. Bolt  M6*50*4PCS	C. Washer  M6*22PCS	D. Allen Key  M6*1PC
E. Bolt  M6*20*12PCS			

Step 1:

ITEMS REQUIRED



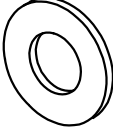
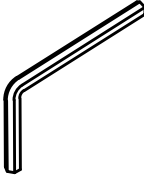
1.	Right Arm	1PC	2.	Left Arm	1PC	6.	Seat	1PC
								
A.	Bolt		C.	Washer		D.	Allen Key	
								
M6*35*6PCS			M6*6PCS			M6*1PC		

- Attach left arm (2) and right arm (1) to seat (6) using bolt (A) with washer (C) .
- Insert all bolts before fully tightening with allen key (D).

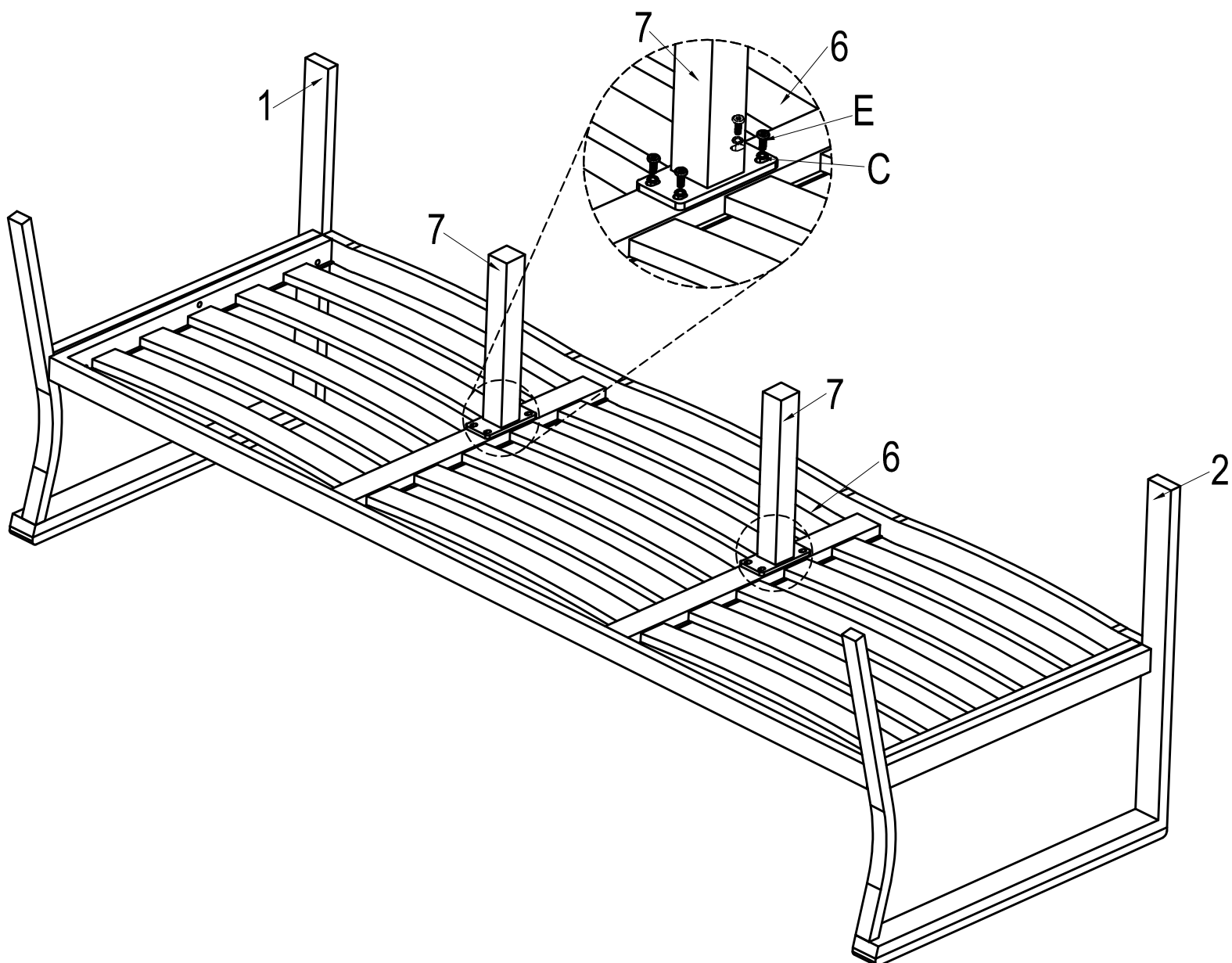


Step 2:

ITEMS REQUIRED

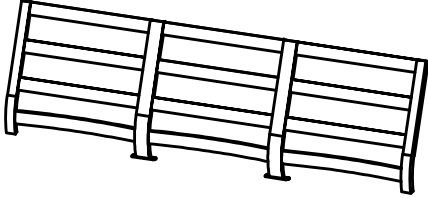
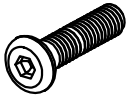
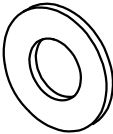
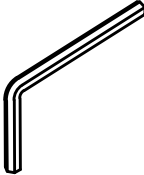
7. Legs 2PCS 		
E. Bolt  M6*20*8PCS	C. Washer  M6*8PCS	D. Allen Key  M6*1PC

- Attach legs (7) to seat (6) using bolt (E) with washer (C) .
- Insert all bolts before fully tightening with allen key (D).

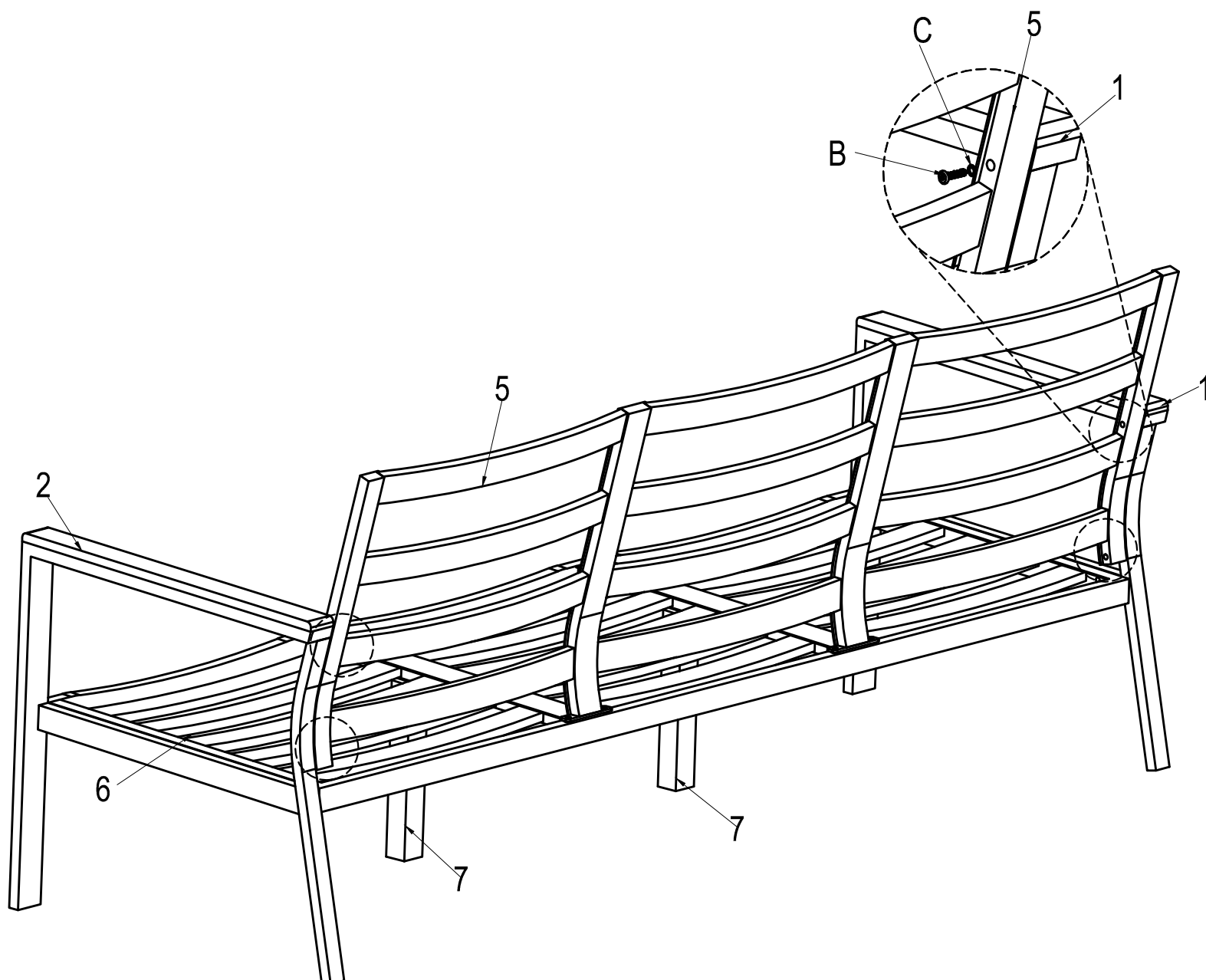


Step 3:

ITEMS REQUIRED


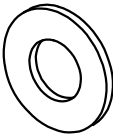
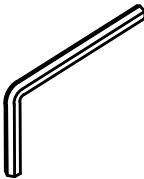
5. Backrest 1PC 		
B. Bolt  M6*50*4PCS	C. Washer  M6*4PCS	D. Allen Key  M6*1PC

- Attach backrest (5) to left arm (2) and right arm (1) using bolt (B) with washer (C).
- Insert all bolts before fully tightening with allen key (D).

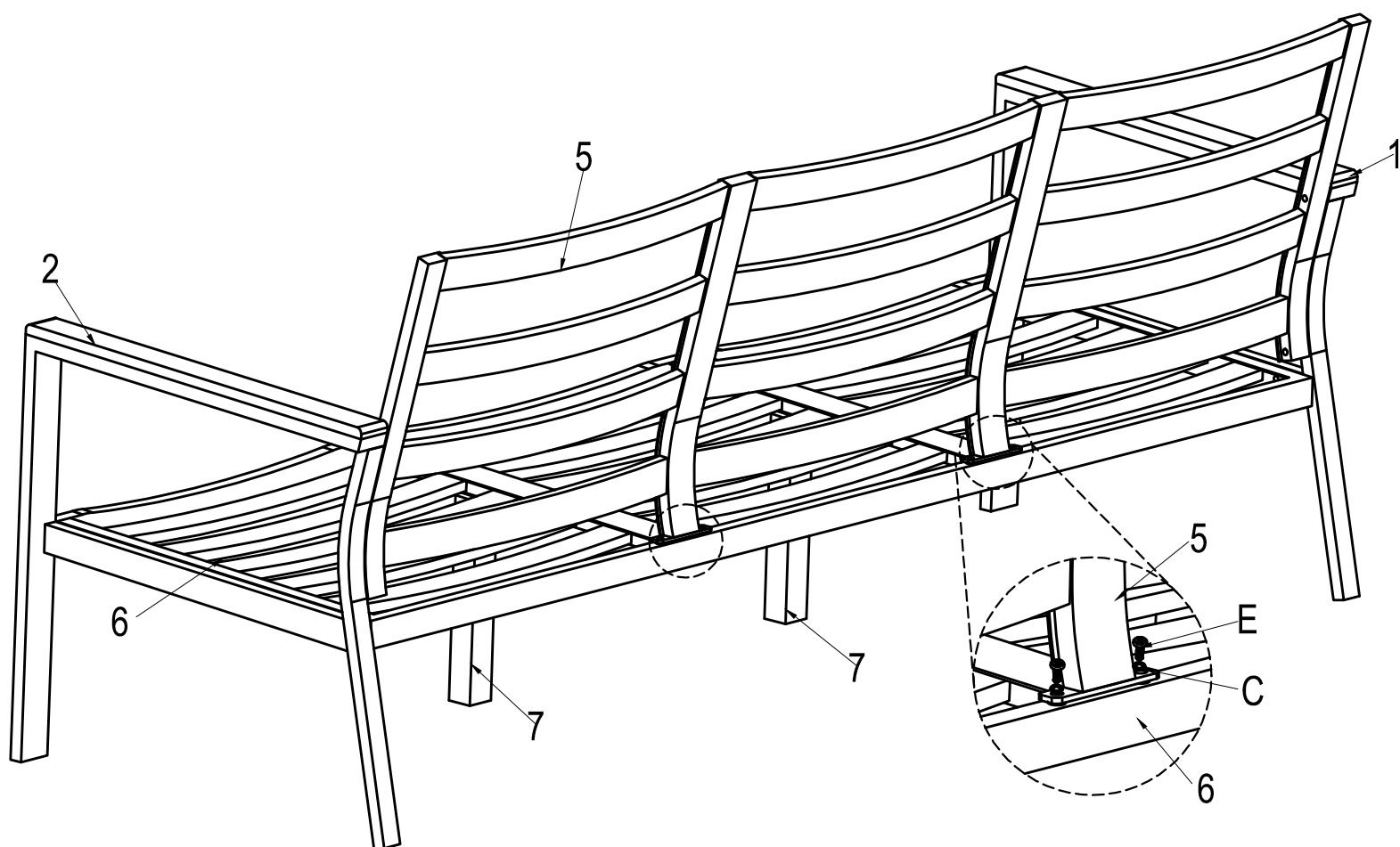


Step 4:

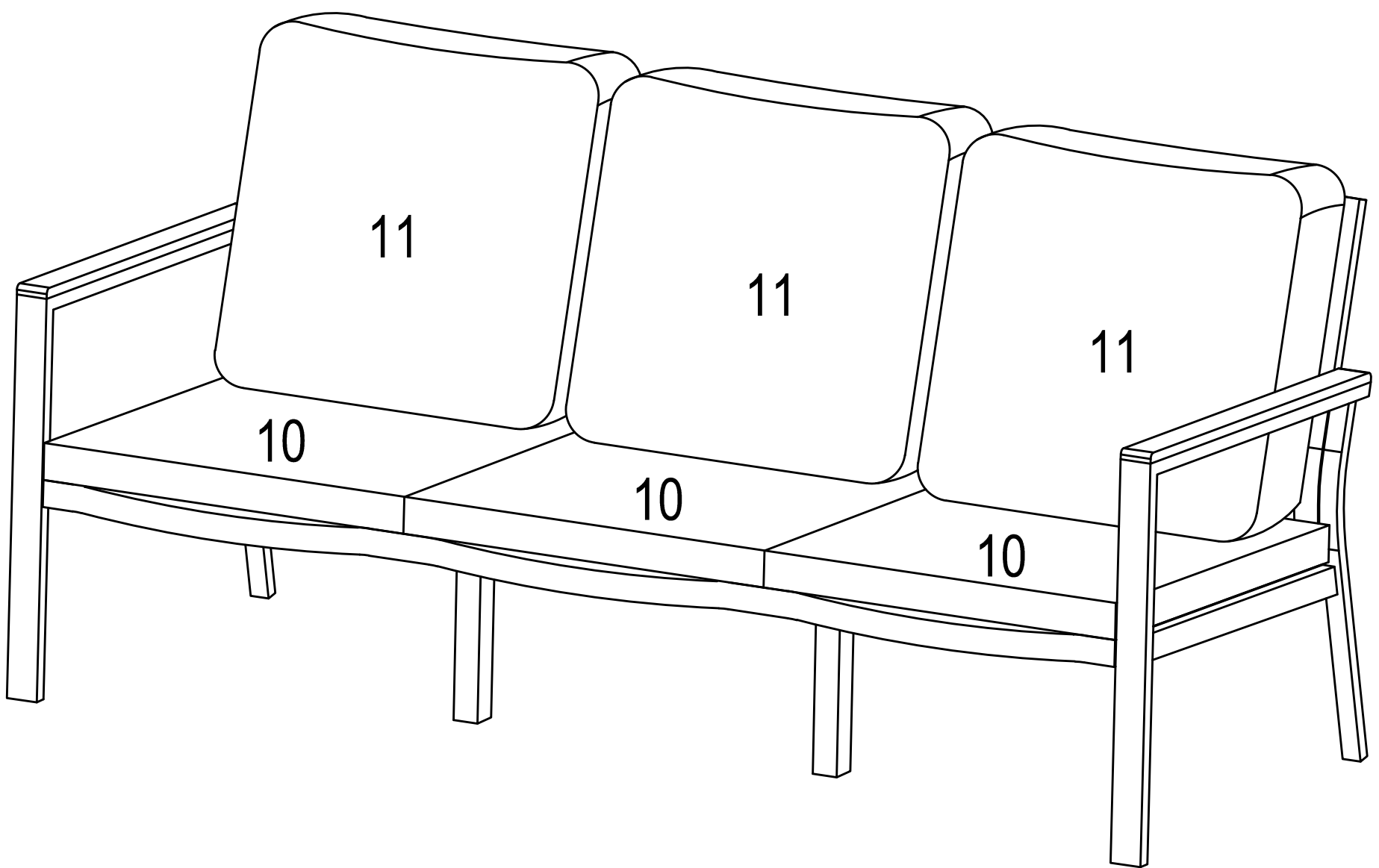
ITEMS REQUIRED

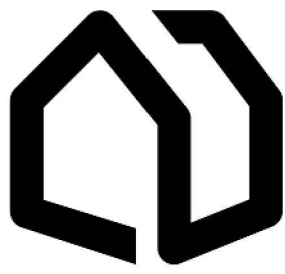
E. Bolt  M6*20*4PCS	C. Washer  M6*4PCS	D. allen Key  M6*1PC
--	--	--

- Attach backrest (5) to seat (6) using bolt (E) with washer (C) .
- Insert all bolts before fully tightening with allen key (D).



ASSEMBLY IS COMPLETE



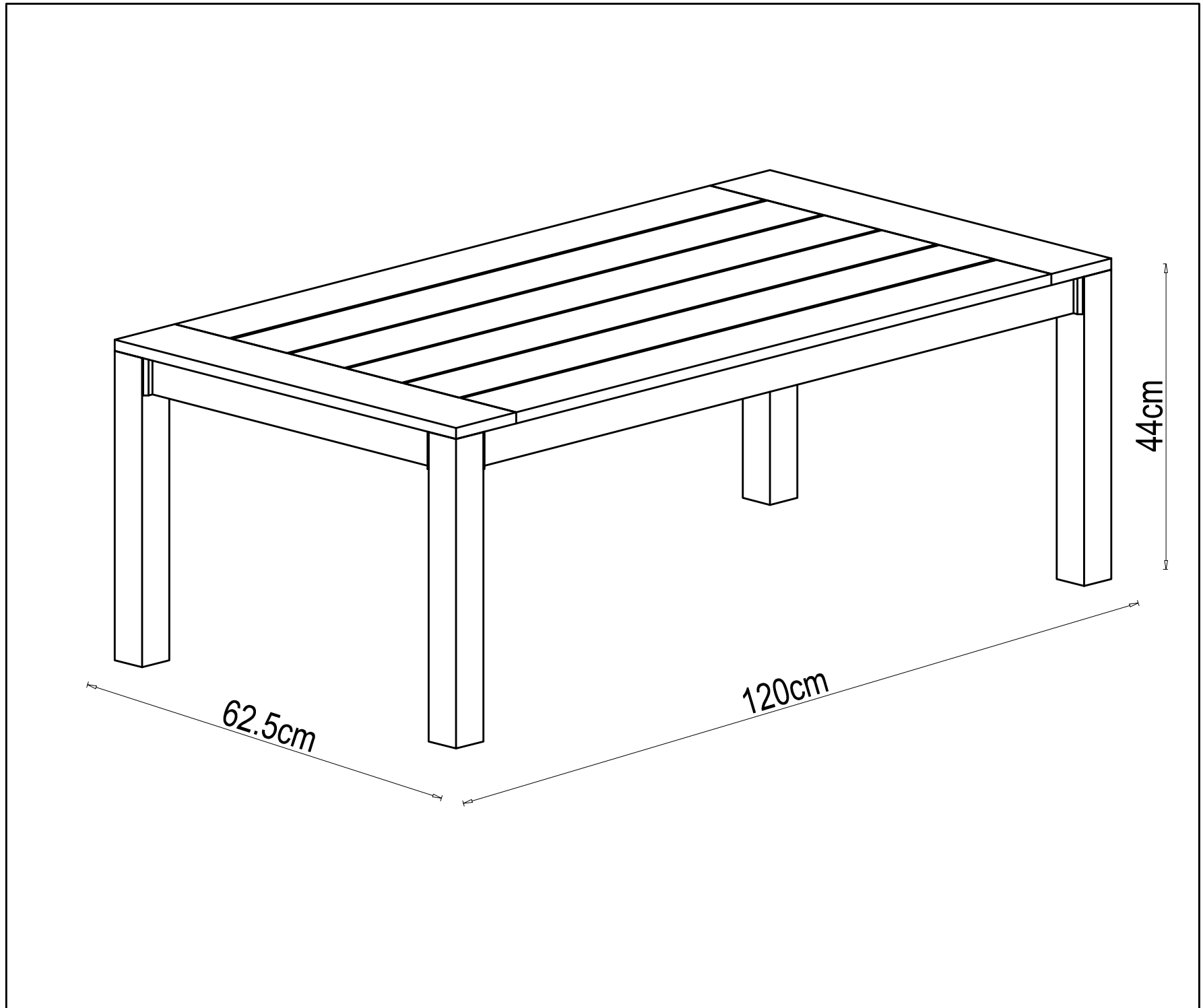


Amart

ASSEMBLY INSTRUCTION

OAKLYN 4 PIECE OUTDOOR LOUNGE SETTING

ITEM CODE - 77199

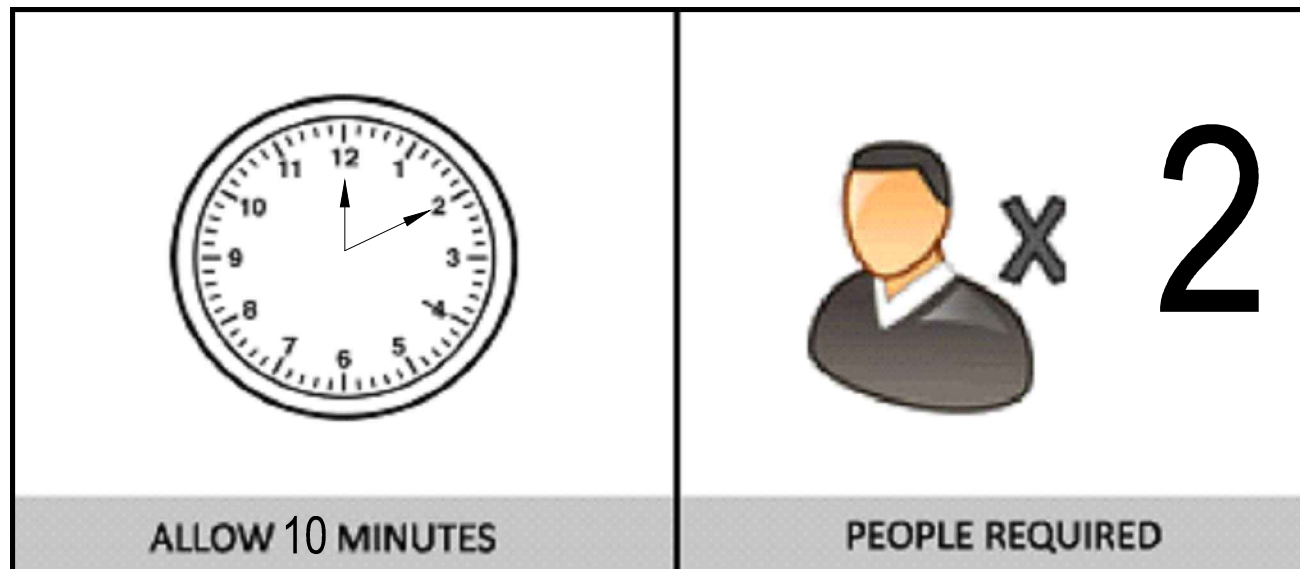


Imported by Amart Furniture Pty Ltd, Qld, Brisbane Australia .
For any assistance with assembly or for missing parts please phone
Amart Furniture, Customer Service Freecall 1800 351 084

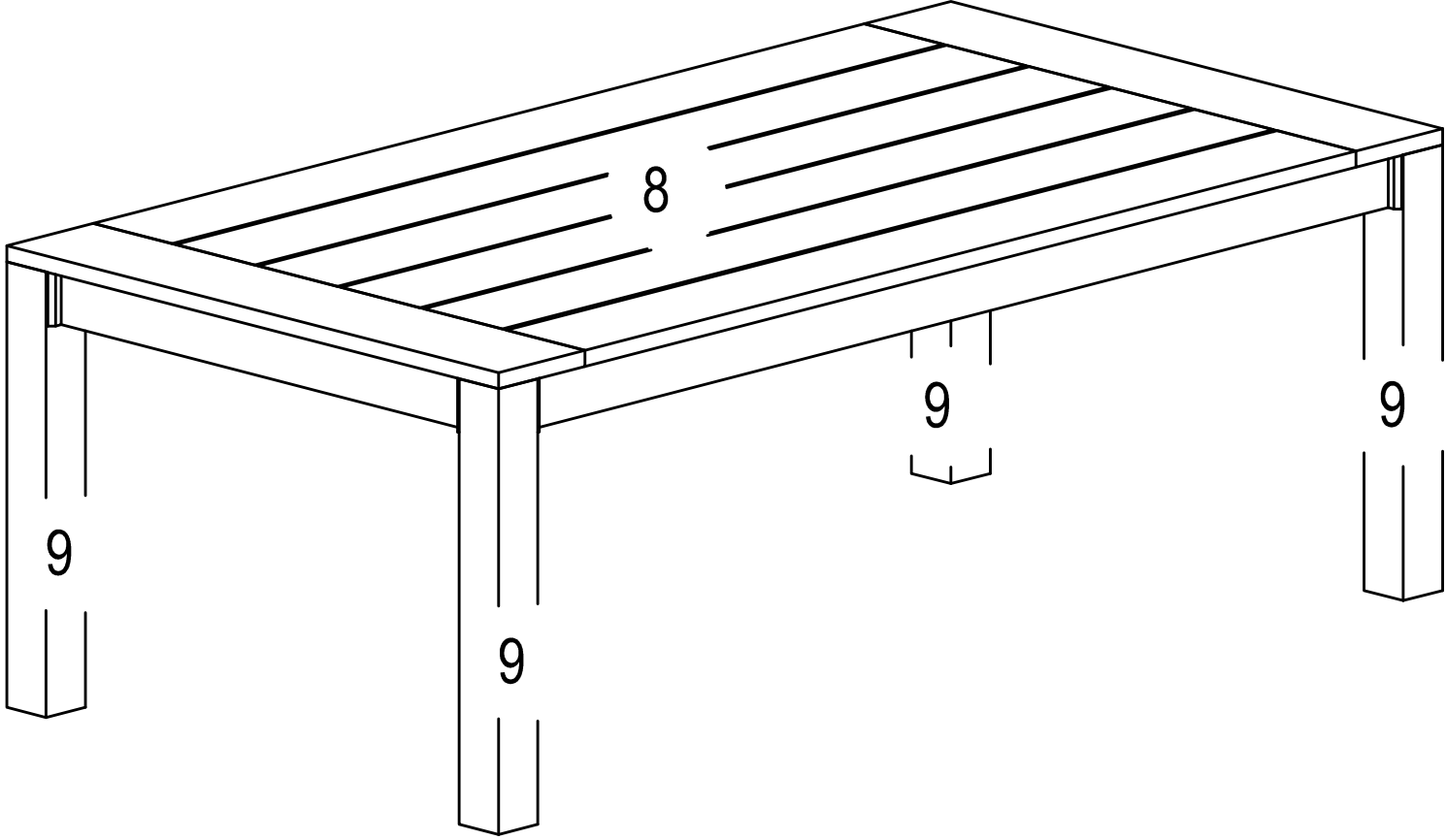
PRE-ASSEMBLY PREPARATION

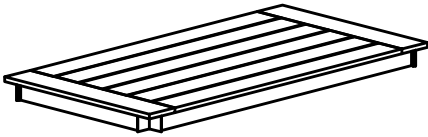
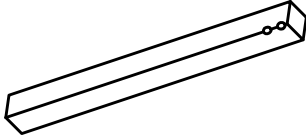
Before you start:

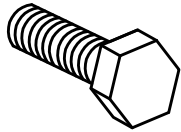
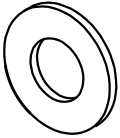


1. Choose a clean, level, spacious assembly area. Avoid hard surfaces that may damage the product.
2. Take care when lifting. Product should be assembled as near as possible to the point of use.
3. Ensure that you have all required contents for complete assembly.
4. Always read the assembly instructions carefully before beginning assembly.
5. Keep all hardware parts and packaging out of reach of small children.
6. Do not over tighten the screws and bolts as this may damage the threads.



PARTS LIST

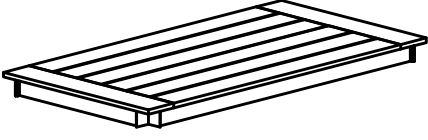
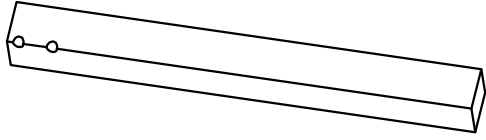
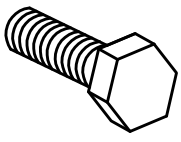
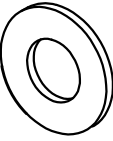




<p>8. Table Top</p>  <p>1PC</p>	<p>9. Legs</p>  <p>4PCS</p>
--	--

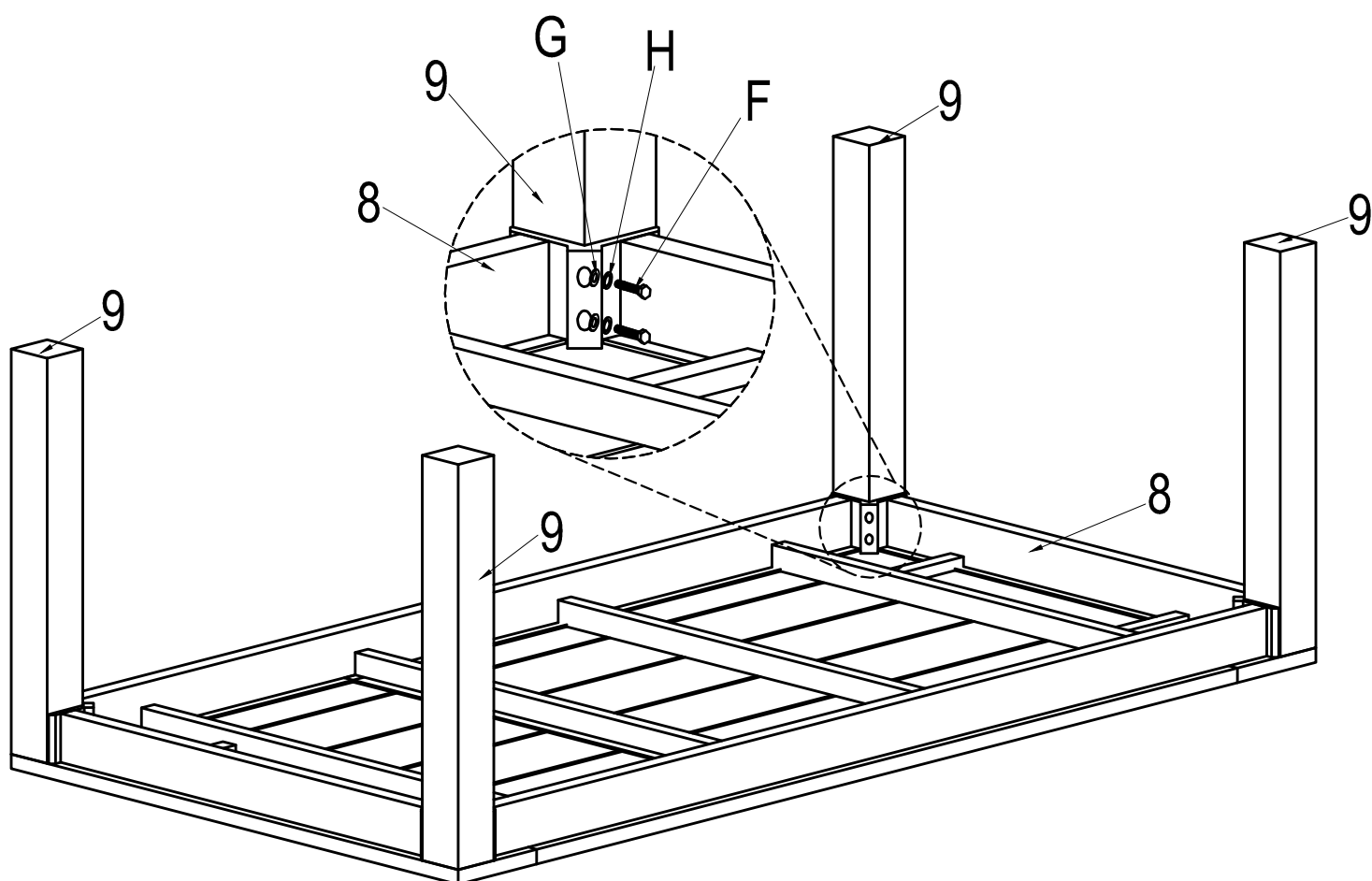
<p>F. Bolt</p>  <p>M8*35*8PCS</p>	<p>G. Washer</p>  <p>M8*8PCS</p>	<p>H. Spring Washer</p>  <p>M8*8PCS</p>	<p>I. Wrench</p>  <p>M8*1PC</p>
--	---	--	--

Step 1:

ITEMS REQUIRED

8. Table Top 1PC 	9. Legs 4PCS 		
F. Bolt  M8*35*8PCS	G. Washer  M8*8PCS	H. Spring washer  M8*8PCS	I. Wrench  M8*1PC

- Attach legs (9) to table top (8) using bolt (F) with washer (G) and spring washer (H) .
- Insert all bolts before fully tightening with wrench (I).

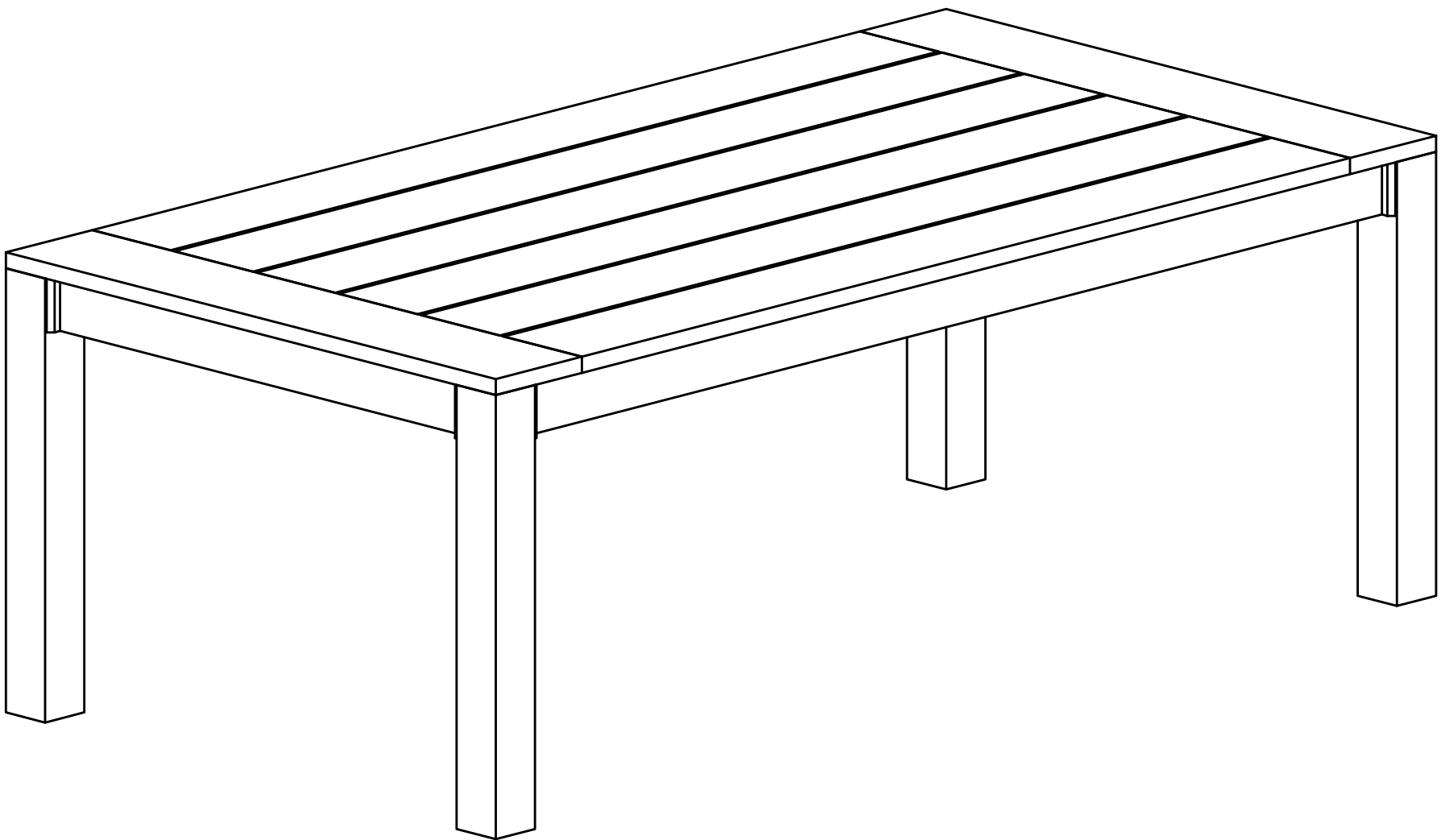


ASSEMBLY IS COMPLETE

DO NOT DRAG:

Do not drag the item as this may cause damage to the legs.

Instead, use 2 people to lift carefully and with caution from either end.



Timbers

- ☒ Prolonged exposure of timber items to the elements may cause premature deterioration
- ☒ Regular vacuuming and dusting of items is recommended
- ☒ Timber requires regular maintenance and upkeep. Please use the appropriate product to maintain your product (oil/wax), if you are unsure of which product is suitable – please contact the store that you purchased from
- ☒ Minor cracking of timber is a natural process and will not compromise the strength of the timber
- ☒ To extend the life of your product the use of an Amart approved Outdoor Furniture Cover is highly recommended.
- ☒ Please contact store of purchase for further details.

Aluminium

- ☒ Item is designed for use outdoors. However we do not recommend leaving this product outside when not in use. To preserve the life of this item, avoid prolonged exposure to the elements & store inside/under cover or use an outdoor cover.
- ☒ DO NOT allow the furniture to be left in the rain or left wet for extended periods of time.
- ☒ Wipe furniture Dry immediately after it becoming wet.
- ☒ DO NOT clean your furniture down with any harsh solvents, abrasives or chemicals.
- ☒ To remove dirt and grime, simply rinse with fresh water or periodically clean using a sponge and mild detergent solution as required

Cushions

- ☒ Direct exposure to the Sun's harmful UV rays is likely to cause rapid colour fading to fabrics. For best results we recommend avoiding exposure to direct sunlight
- ☒ To ensure product longevity it is recommended outdoor products are not left permanently exposed to the elements
- ☒ Spot clean using mild detergent and damp cloth. Dry flat in shade
- ☒ Do not unzip
- ☒ Do not put in washing machine
- ☒ Do not tumble dry
- ☒ Do not bleach
- ☒ Do not dry clean
- ☒ Cool iron only